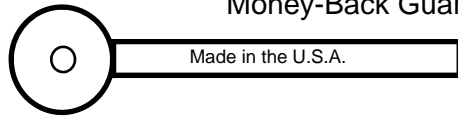


Watchdog Latch.com

30 Day - 100%

Money-Back Guarantee



See website for additional mounting and safety information

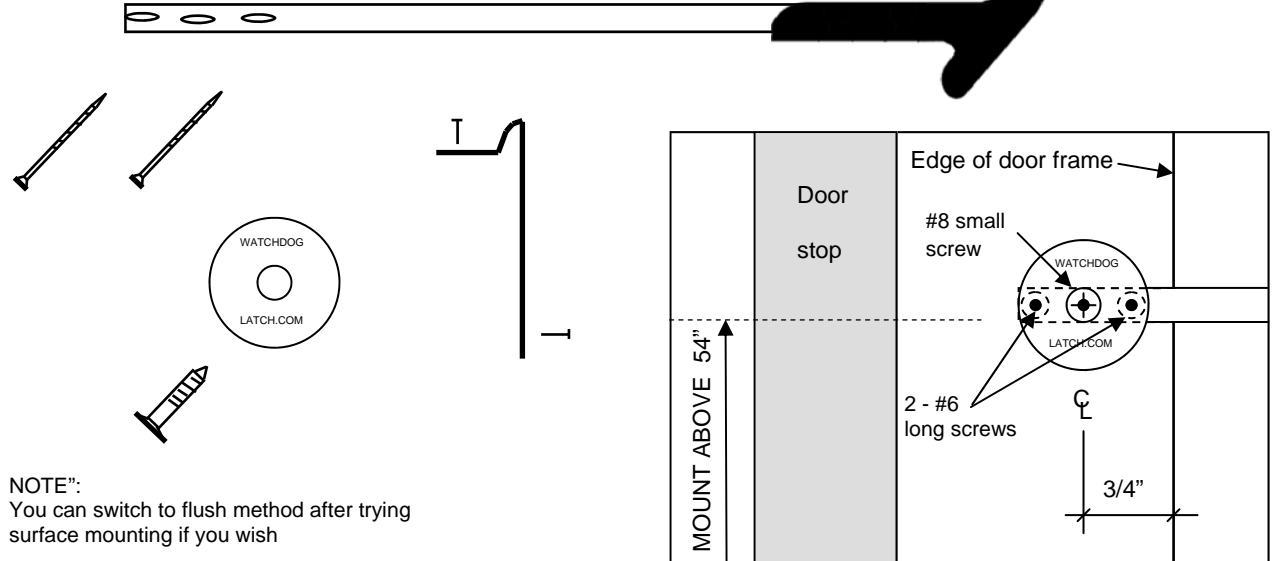
Warranty Information: (to original owner)

We want our product to work well to protect you and your loved ones. At anytime during the first **3 years** of ownership simply return the damaged part along with shipping and handling to HTH Resources, LLC for a free replacement. (see website for details)

- please return warranty card -

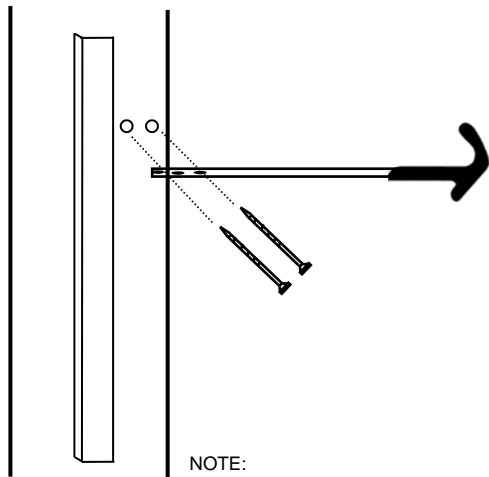
Easy Installation Instructions

SURFACE MOUNTING



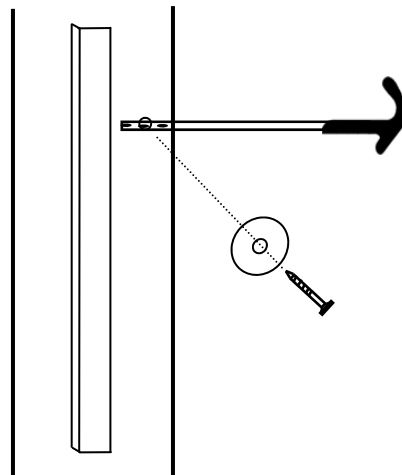
NOTE:
You can switch to flush method after trying surface mounting if you wish

1 Mount shaft on door frame using outer holes



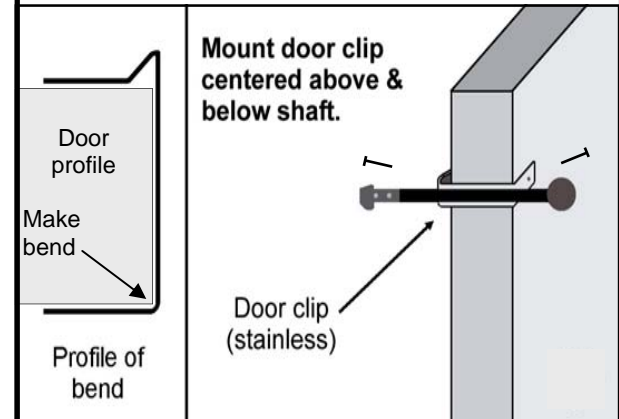
NOTE:
Mount well above 54" - per many codes

2 Attach cover plate using center hole



NOTE:
Cover plate is for aesthetics only

3 Place door guard



First -
Bend door guard to width of door in "U" shape (sharp 90 deg.)

Then -
Attach door guard centered at latch height with small screws

Watchdog Latch.com

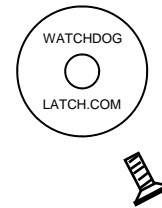
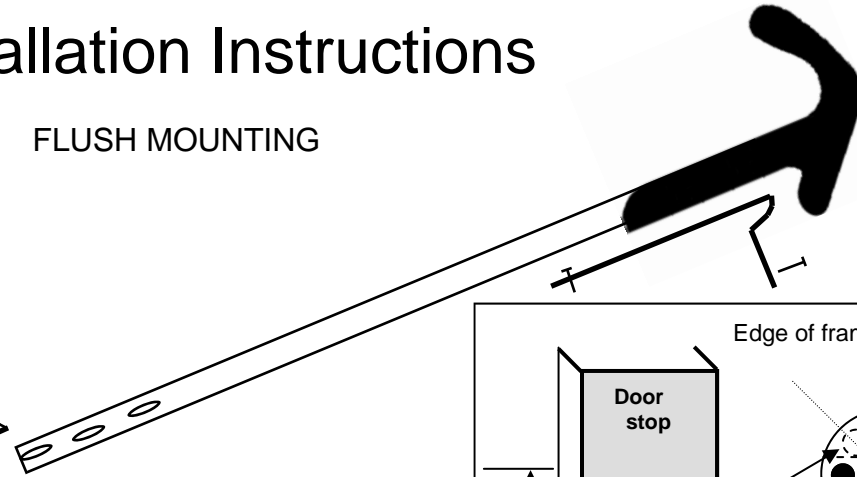
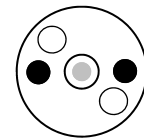
Installation Instructions

FLUSH MOUNTING

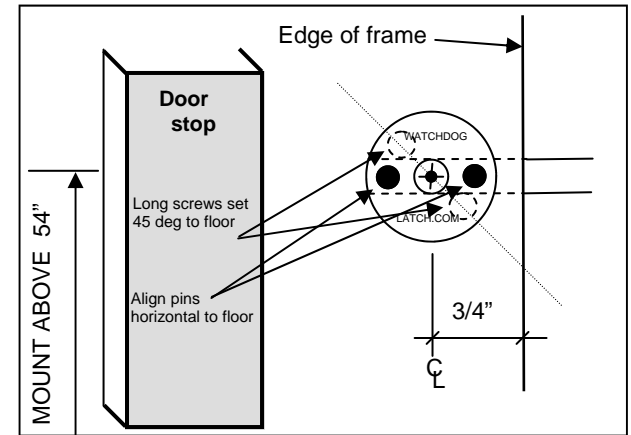
USE THIS METHOD:

- Where easier removing & remounting is desired. (temporarily disable)
- There is not enough gap between door and frame while door is closed. (approx. 1/10th inch)

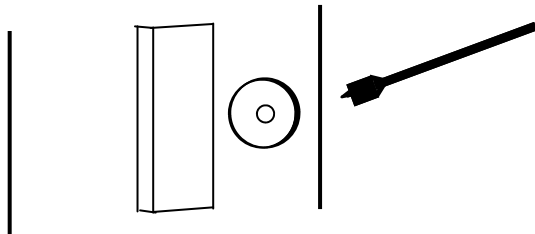
You can simply leave cover plate mounted over base plate when no longer in use or no longer needed to cover hole.



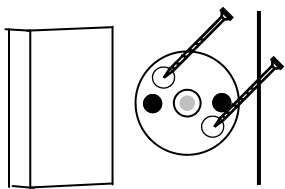
WARNING:
Improper installation can make latch non-functional, contact company if you have any questions



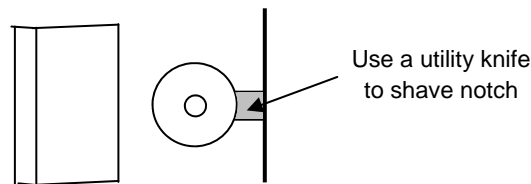
- 1** Drill 1" hole, 1/8" deep & above 54" high (centered 3/4" in from frame edge)



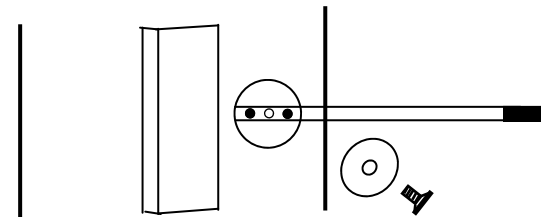
- 2** Mount base plate in hole using long screws, pre-drill as necessary



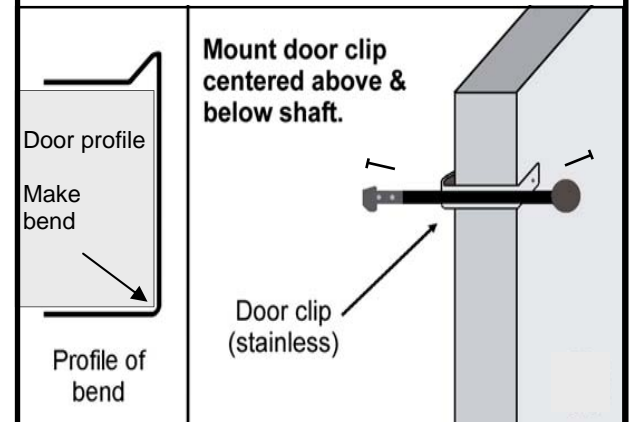
- 3** Cut out a 3/8" high notch between hole and edge of frame down to top of base plate



- 4** Attach shaft with holes over pins using cover plate and stubby screw



- 5** Place door guard



First -
Bend door guard to width of door in "U" shape (sharp 90 deg.)
Then -
Attach door guard centered at latch height with small screws